



Guangxi LiuGong Machinery Co.,Ltd.
No. 1 Liutai Road, Liuzhou, Guangxi.
545007

PR China

T: +86 0772 3886124

E: overseas@liugong.com

www.liugong.com

Like and follow us:



LIUGONG 062017-ENG

The LiuGong series of logos herein, including but not limited to word marks, device marks, letter of alphabet marks and combination marks, as the registered trademarks of Guangxi LiuGong Group Co., Ltd. are used by Guangxi LiuGong Machinery Co., Ltd. with legal permission, and shall not be used without permission. Specifications and designs are subject to change without notice. Illustrations and pictures may include optional equipment and may not include all standard equipment. Equipment and options varies by regional availability.

CLG2020~25A-S

FORKLIFT



LIUGONG



TOUGH WORLD. TOUGH EQUIPMENT.

MAXIMIZE YOUR RETURN ON INVESTMENT

LiuGong's **customer-driven** design and **quality-focused** engineering creates lasting value that will deliver to your bottom line.

DEPENDABLE POWER

Unmatched performance driven by the World-Class Controller and Motor.

ERGONOMIC

Widen operating space and reasonable design can give the operator better experience.



COMFORTABLE

The full hydraulic steering system allows for smooth steering in an ergonomic seating posture, hence improved operator's comfort.



HIGH EFFICIENCY

Newly optimized hydraulic system provides excellent lifting speed, assisting you to finish work efficiently and safely.

GOOD VIEW

The mast and overhead guard are designed for wider view, as well as operator's comfort and safety.



MAINTAINING

The rear hood with big angle for easy to maintain.



PARTS

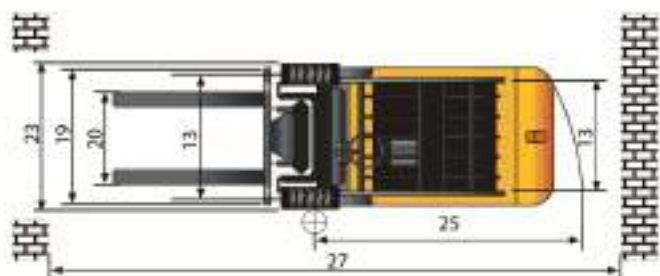
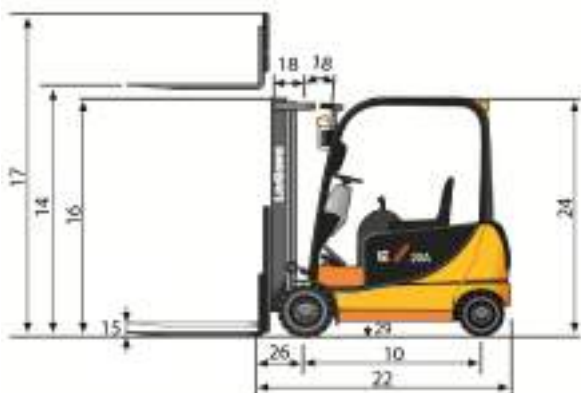
Using genuine LiuGong parts is key to keeping your costs low and your machine in top working order. Our extensive support network is always there when you need it, to maximize your business profitability.

AFTER SALES SERVICE

As a customer of LiuGong you can feel confident that our dealers and regional offices will be there to support you with training, service and maintenance needed throughout the life of your machine.

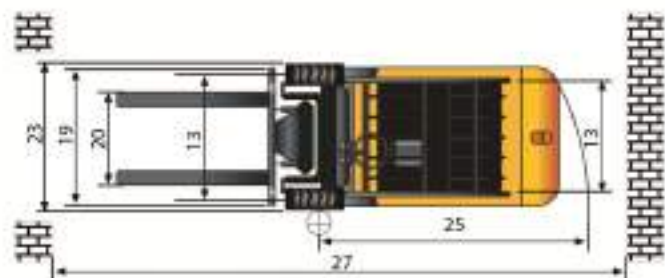
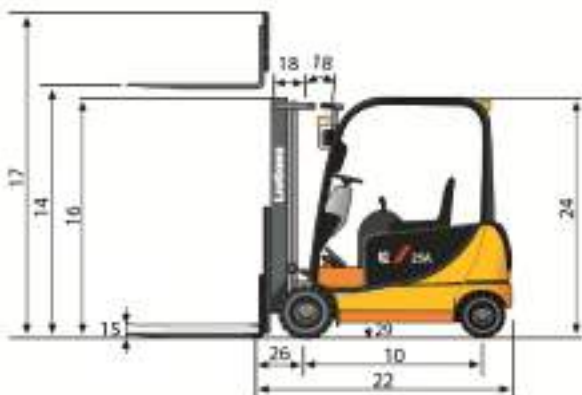
SPECIFICATION

General	Model	1			CLG2020A-S
	Power Type	2			Electric
	Base Capacity	3	@ rated load center	kg	2,000
	Load Center	4		mm	500
Weights	Service Weight	5	unloaded with minimum weight battery	kg	3,500
	Axle Load	6	loaded, front / rear	kg	4,841 / 1,660
		7	unloaded, front / rear	kg	659 / 1,840
Tires	Tires	8	Tire Type		Pneumatic
	Wheels	9	front / rear		2 / 2
	Wheelbase	10		mm	1,510
	Tire Size	11	front		23x9-10-16PR
		12	rear		18x7-8-14PR
Mast	Tread Width	13	front / rear		970 / 880
	Max. Fork Height	14	with std 2 - stage mast	mm	3,000
	Freelift	15	with std 2 - stage mast	mm	140
	Height, Upright Lowered	16	with std 2 - stage mast	mm	2,070
	Height, Upright Extended	17	with std 2 - stage mast	mm	4,115
	Mast Tilt, Fwd / Back	18	with std 2 - stage mast	deg	6° / 7°
	Carriage	19	width	mm	1,040
	Fork Spread	20	minimum / maximum	mm	222 / 1,010
Chassis	Fork Dimensions	21	T x W x L	mm	40 x 100 x 1,070
	Length to Fork Face	22	with std 2 - stage mast	mm	2,260
	Overall Width	23		mm	1,200
	Overhead Guard Height	24		mm	2,050
	Turning Radius	25	minimum outside	mm	2,050
	Fork Overhang	26	with std 2 - stage mast	mm	445
	Right Angle Stack	27	add load length and clearance	mm	3,695
	Ground Clearance	28	minimum loaded	mm	95
		29	center of wheelbase	mm	115
	Battery Compartment	30	length / width / height	mm	655 / 880 / 680
Performance	Travel Speed	31	loaded / unloaded	kph	15 / 15
	Lift Speed	32	loaded / unloaded	m/s	0.35 / 0.50
	Lower Speed	33	loaded / unloaded	m/s	0.52 / 0.48
	Max. Drawbar Pull	34	5 min. rating	kg	1,150
		35	60 min. rating	kg	204
	Max. Gradeability	36	5 min. rating	%	13
Systems	Controllers	37	drive / hydraulic (make, type)		Inmotion, AC
	Motors	38	drive output (60 min. rating)	kW	8
		39	hydraulic output (15 min. rating)	kW	15
		40	type		Lead Acid
	Battery	41	voltage		48
		42	max. capacity (6 hour rating)	Ah	560
		43	weight, minimum / maximum	kg	900 / 1,200



SPECIFICATION

General	Model	1			CLG2025A-S
	Power Type	2			Electric
	Base Capacity	3	@ rated load center	kg	2,500
Weights	Load Center	4		mm	500
	Service Weight	5	unloaded with minimum weight battery	kg	3,900
	Axle Load	6	loaded, front / rear	kg	5,698 / 1,648
		7	unloaded, front / rear	kg	702 / 2,252
	Tires	8	Tire Type		Pneumatic
Tires	Wheels	9	front / rear		2 / 2
	Wheelbase	10		mm	1,510
	Tire Size	11	front		23x9-10-16PR
		12	rear		18x7-8-14PR
Mast	Tread Width	13	front / rear		970 / 880
	Max. Fork Height	14	with std 2 - stage mast	mm	3,000
	Freelift	15	with std 2 - stage mast	mm	140
	Height, Upright Lowered	16	with std 2 - stage mast	mm	2,070
	Height, Upright Extended	17	with std 2 - stage mast	mm	4,115
	Mast Tilt, Fwd / Back	18	with std 2 - stage mast	deg	6° / 7°
	Carriage	19	width	mm	1,040
	Fork Spread	20	minimum / maximum	mm	244 / 1,032
	Fork Dimensions	21	T x W x L	mm	40 x 122 x 1,070
	Chassis	Length to Fork Face	22	with std 2 - stage mast	mm
Overall Width		23		mm	1,200
Overhead Guard Height		24		mm	2,050
Turning Radius		25	minimum outside	mm	2,150
Fork Overhang		26	with std 2 - stage mast	mm	445
Right Angle Stack		27	add load length and clearance	mm	3,795
Ground Clearance		28	minimum loaded	mm	95
		29	center of wheelbase	mm	115
Battery Compartment		30	length / width / height	mm	655 / 880 / 680
Performance		Travel Speed	31	loaded / unloaded	kph
	Lift Speed	32	loaded / unloaded	m/s	0.30 / 0.45
	Lower Speed	33	loaded / unloaded	m/s	0.52 / 0.48
	Max. Drawbar Pull	34	5 min. rating	kg	1,150
		35	60 min. rating	kg	194
	Max. Gradeability	36	5 min. rating	%	13
Systems	Controllers	37	drive / hydraulic (make, type)		Inmotion, AC
	Motors	38	drive output (60 min. rating)	kW	8
		39	hydraulic output (15 min. rating)	kW	15
	Battery	40	type		Lead Acid
		41	voltage		48
		42	max. capacity (6 hour rating)	Ah	560
		43	weight, minimum / maximum	kg	900 / 1,200

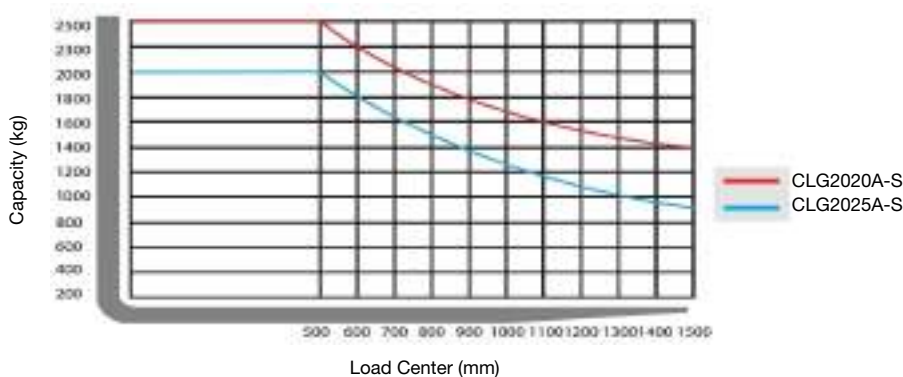


CAPACITY

Mast type	Maximum Fork Height (MFH)	Mast Overall Lowered Height (OAL)	Freee Lift with Load Backrest	Mast Tilt Angle (F/B)	Rated Load Capacity				Total Weight with Standard Forks	
					With Standard Forks		With Sideshifter			
					CLG2020A-S	CLG2025A-S	CLG2020A-S	CLG2025A-S	CLG2020A-S	CLG2025A-S
	mm	mm	mm	degree	kg @ (500mm LC)		kg @ (500mm LC)		Kg	
Standard 2-Stage	3000	2070	140	6 / 7	2000	2500	1850	2300	3500	3900
	3300	2220	140	6 / 7	2000	2500	1850	2300	3520	3920
	3500	2320	140	6 / 7	2000	2500	1850	2300	3540	3940
	4000	2620	140	6 / 7	1890	2390	1700	2190	3565	3965
	4500	2870	140	6 / 7	1800	2300	1630	2100	3650	4050
	5000		140	6 / 7						

Mast type	Maximum Fork Height (MFH)	Mast Overall Lowered Height (OAL)	Freee Lift with Load Backrest*	Mast Tilt Angle (F/B)	Rated Load Capacity				Total Weight with Standard Forks	
					With Standard Forks		With Sideshifter			
					CLG2020A-S	CLG2025A-S	CLG2020A-S	CLG2025A-S	CLG2020A-S	CLG2025A-S
	mm	mm	mm	degree	kg @ (500mm LC)		kg @ (500mm LC)		Kg	
Full Free 2-Stage	2700	1920	830	6 / 7	2000	2500	1850	2300	3480	3880
	3000	2070	980	6 / 7	2000	2500	1850	2300	3500	3900
	3300	2220	1130	6 / 7	2000	2500	1850	2300	3520	3920
	3500	2320	1230	6 / 7	2000	2500	1850	2300	3540	3940
	4000	2620	1530	6 / 7	1890	2390	1700	2190	3565	3965

Mast type	Maximum Fork Height (MFH)	Mast Overall Lowered Height (OAL)	Freee Lift with Load Backrest*	Mast Tilt Angle (F/B)	Rated Load Capacity				Total Weight with Standard Forks	
					With Standard Forks		With Sideshifter			
					CLG2020A-S	CLG2025A-S	CLG2020A-S	CLG2025A-S	CLG2020A-S	CLG2025A-S
	mm	mm	mm	degree	kg @ (500mm LC)		kg @ (500mm LC)		Kg	
Full Free 3-Stage	4500	2150	1060	6 / 6	1700	2100	1500	1900	3895	4295
	4800	2250	1160	6 / 6	1600	1850	1400	1650	3915	4315
	5000	2310	1220	6 / 6	1500	1600	1300	1400	3925	4325
	5500	2480	1390	3 / 6	1200	1300	1000	1100	4010	4410
	6000	2960	1870	3 / 6	900	1000	700	800	4125	4525



Note:
 Vertical axle stands for load capacity while horizontal axle stands for load center, Load center is the distance counted from the front of the fork.,The base point of the standard load is the center point of the cubic with the same 1000mm dimension in length, width and height. The load capacity should be down if mast tilt forward or using non-standard forks of loading goods with extra width. Please realize the different load capacity between different load centers according to load chart.

STANDARD CONFIGURATION

POWER SYSTEM

- Inmotion controler
- Forceful motor
- One-speed transmission
- High strength drive axle
- Reliable steering axle

HYDRAULIC SYSTEM

- 2-funtion hydraulic valve
- Hydrostatic steering
- Oil filter for intake and return

ELECTRIC SYSTEM

- 48V/560Ah lead-acid batteries
- 3 phase 380V charger
- SBE 350 Connector
- Front flood lights
- Front steering lights
- Rear combination lights
- Buzzer for back off

UNDERCARRIAGE

- High strength frame
- 1 piece counterweight
- Tow pin
- Air filled pneumatic drive tires
- Air filled pneumatic steer tires

MAST

- 3.0M Standard 2-stage mast
- 1040mm Wide Class II carriage
- Load backrest
- 1070mm long Class II pallet forks

OPERATOR STATION

- Overhead guard
- Locks for battery hood
- Vinyl cushion seat with seat belt
- Display fault code, working hour
- Tilt steering column
- Brake and accelerator pedals
- Hand parking
- Floor mat

OPTIONAL CONFIGURATION

POWER SYSTEM

- Curtis controler

HYDRAULIC SYSTEM

- 3-funtion hydraulic valve
- 4-funtion hydraulic valve

ELECTRIC SYSTEM

- 48V/640Ah lead-acid battery
- 48V/720Ah lead-acid battery
- REMA 320 connector
- Rear working light
- Amber warning light
- License plate light

UNDERCARRIAGE

- Solid pneumatic drive tires
- Solid pneumatic steer tires

MAST

- Full free 2-stage mast
- Full free 3-stage mast
- Longer Class II pallet forks

OPERATION STATION

- Enclosed cabin
- Heater for cabin
- Operator fan
- Fire extinguisher
- Anti-corrosion lifting and tilting cylinde
- Protective cover for tilt cylinde
- Master key
- Half-suspension vinyl seat(tiancheng)
- Grammer full-suspension vinyl seat