



Guangxi LiuGong Machinery Co.,Ltd.  
No. 1 Liutai Road, Liuzhou, Guangxi.  
545007

PR China

T: +86 0772 3886124

E: [overseas@liugong.com](mailto:overseas@liugong.com)

[www.liugong.com](http://www.liugong.com)

Like and follow us:



**LIUGONG 062017-ENG**

The LiuGong series of logos herein, including but not limited to word marks, device marks, letter of alphabet marks and combination marks, as the registered trademarks of Guangxi LiuGong Group Co., Ltd. are used by Guangxi LiuGong Machinery Co., Ltd. with legal permission, and shall not be used without permission. Specifications and designs are subject to change without notice. Illustrations and pictures may include optional equipment and may not include all standard equipment. Equipment and options varies by regional availability.

# CLG2015~18A-T

FORKLIFT



# LIUGONG



TOUGH WORLD. TOUGH EQUIPMENT.

# MAXIMIZE YOUR RETURN ON INVESTMENT

LiuGong's **customer-driven** design and **quality-focused** engineering creates lasting value that will deliver to your bottom line.

---

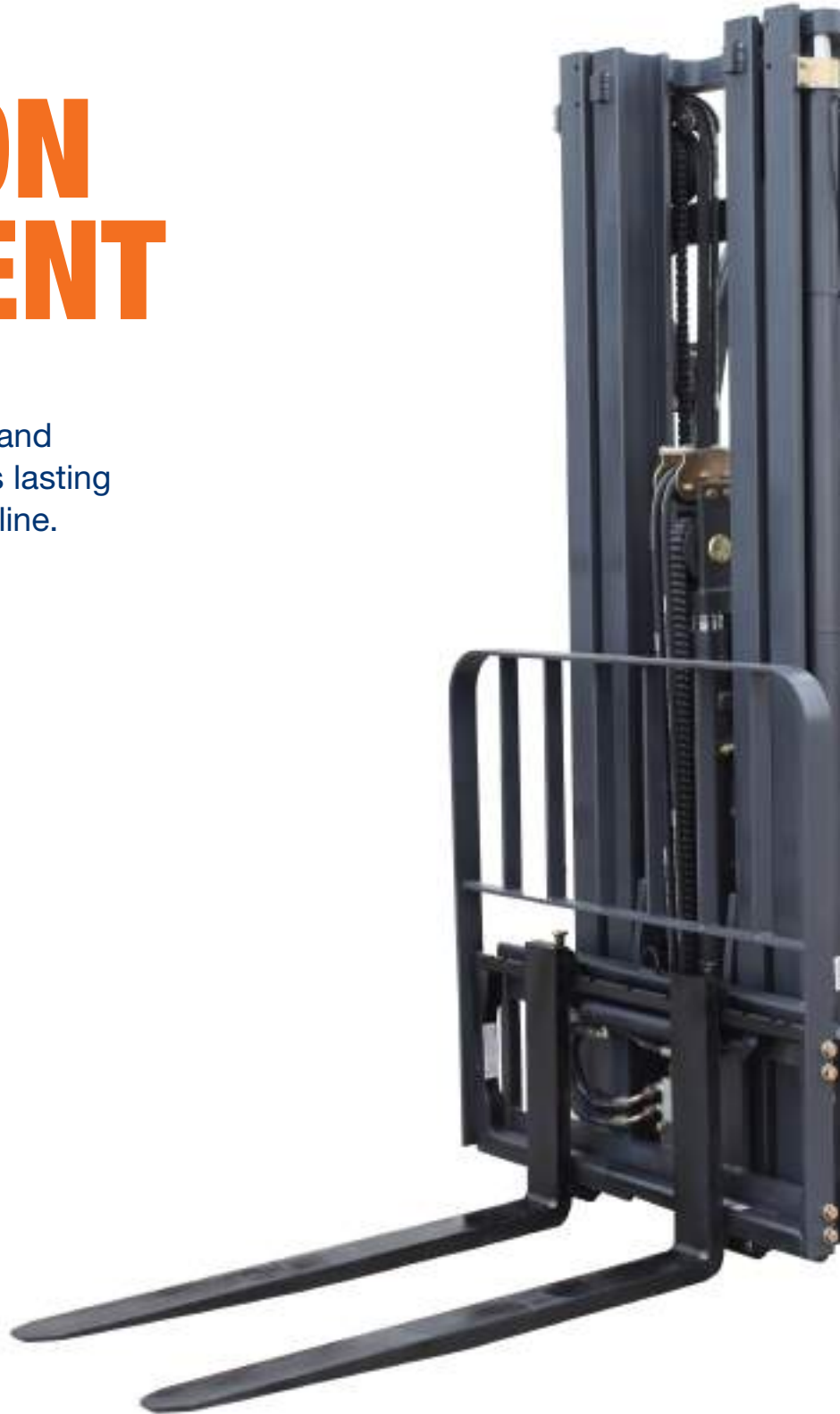
## DEPENDABLE POWER

Unmatched performance driven by the World-Class Controller and Motor.

---

## ERGONOMIC

Widen operating space and reasonable design can give the operator better experience.



---

## COMFORTABLE

The full hydraulic steering system allows for smooth steering in an ergonomic seating posture, hence improved operator's comfort.



---

## HIGH EFFICIENCY

Newly optimized hydraulic system provides excellent lifting speed, assisting you to finish work efficiently and safely.

---

## GOOD VIEW

The mast and overhead guard are designed for wider view, as well as operator's comfort and safety.



---

## MAINTAINING

The rear hood with big angle for easy to maintain.



---

## PARTS

Using genuine LiuGong parts is key to keeping your costs low and your machine in top working order. Our extensive support network is always there when you need it, to maximize your business profitability.

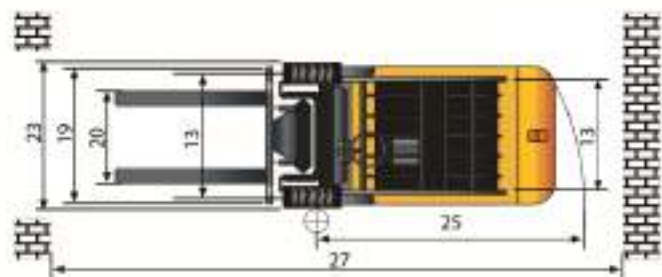
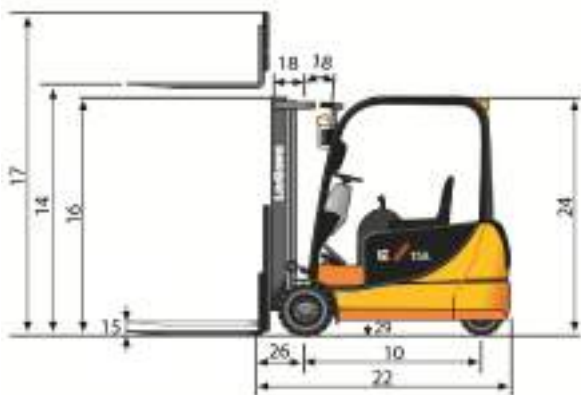
---

## AFTER SALES SERVICE

As a customer of LiuGong you can feel confident that our dealers and regional offices will be there to support you with training, service and maintenance needed throughout the life of your machine.

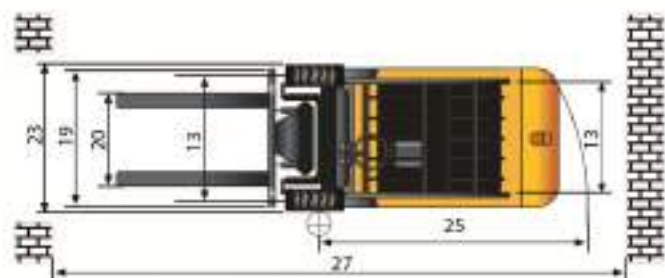
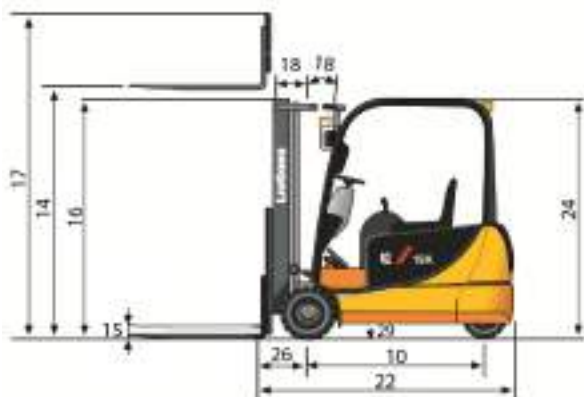
# SPECIFICATION

<b>General</b>	<b>Model</b>	1			CLG2015A-T
	<b>Power Type</b>	2			Electric
	<b>Base Capacity</b>	3	@ rated load center	kg	1,500
	<b>Load Center</b>	4		mm	500
<b>Weights</b>	<b>Service Weight</b>	5	unloaded with minimum weight battery	kg	3,050
	<b>Axle Load</b>	6	loaded, front / rear	kg	3,992 / 1,522
		7	unloaded, front / rear	kg	558 / 1,528
<b>Tires</b>	<b>Tires</b>	8	Tire Type		Pneumatic
	<b>Wheels</b>	9	front / rear		2 / 2
	<b>Wheelbase</b>	10		mm	1,340
	<b>Tire Size</b>	11	front		18x7-8
		12	rear		15x4.5-8
	13	front / rear			925 / 180
<b>Mast</b>	<b>Max. Fork Height</b>	14	with std 2 - stage mast	mm	3,000
	<b>Freelift</b>	15	with std 2 - stage mast	mm	135
	<b>Height, Upright Lowered</b>	16	with std 2 - stage mast	mm	2,045
	<b>Height, Upright Extended</b>	17	with std 2 - stage mast	mm	4,090
	<b>Mast Tilt, Fwd / Back</b>	18	with std 2 - stage mast	deg	6° / 7°
	<b>Carriage</b>	19	width	mm	1,040
	<b>Fork Spread</b>	20	minimum / maximum	mm	222 / 1,010
	<b>Fork Dimensions</b>	21	T x W x L	mm	35 x 100 x 920
<b>Chassis</b>	<b>Length to Fork Face</b>	22	with std 2 - stage mast	mm	1,935
	<b>Overall Width</b>	23		mm	1,110
	<b>Overhead Guard Height</b>	24		mm	2,025
	<b>Turning Radius</b>	25	minimum outside	mm	1,550
	<b>Fork Overhang</b>	26	with std 2 - stage mast	mm	385
	<b>Right Angle Stack</b>	27	add load length and clearance	mm	3,135
	<b>Ground Clearance</b>	28	minimum loaded	mm	60
		29	center of wheelbase	mm	105
	<b>Battery Compartment</b>	30	length / width / height	mm	565 / 830 / 675
	<b>Performance</b>	<b>Travel Speed</b>	31	loaded / unloaded	kph
<b>Lift Speed</b>		32	loaded / unloaded	m/s	0.35 / 0.50
<b>Lower Speed</b>		33	loaded / unloaded	m/s	0.50 / 0.40
<b>Max. Drawbar Pull</b>		34	5 min. rating	kg	1,275
		35	60 min. rating	kg	316
<b>Max. Gradeability</b>		36	5 min. rating	%	20
<b>Systems</b>	<b>Controllers</b>	37	drive / hydraulic (make, type)		SME, AC
	<b>Motors</b>	38	drive output (60 min. rating)	kW	13
		39	hydraulic output (15 min. rating)	kW	15
	<b>Battery</b>	40	type		Lead Acid
		41	voltage		48
		42	max. capacity (6 hour rating)	Ah	480
		43	weight, minimum / maximum	kg	760 / 920



# SPECIFICATION

<b>General</b>	<b>Model</b>	1			CLG2018A-T
	<b>Power Type</b>	2			Electric
	<b>Base Capacity</b>	3	@ rated load center	kg	1,800
	<b>Load Center</b>	4		mm	500
<b>Weights</b>	<b>Service Weight</b>	5	unloaded with minimum weight battery	kg	3,300
	<b>Axle Load</b>	6	loaded, front / rear	kg	4,507 / 1,549
		7	unloaded, front / rear	kg	593 / 1,751
<b>Tires</b>	<b>Tires</b>	8	Tire Type		Pneumatic
	<b>Wheels</b>	9	front / rear		2 / 2
	<b>Wheelbase</b>	10		mm	1,340
	<b>Tire Size</b>	11	front		200/50-10
		12	rear		15x4.5-8
13	Tread Width	front / rear		915 / 180	
<b>Mast</b>	<b>Max. Fork Height</b>	14	with std 2 - stage mast	mm	3,000
	<b>Freelift</b>	15	with std 2 - stage mast	mm	135
	<b>Height, Upright Lowered</b>	16	with std 2 - stage mast	mm	2,045
	<b>Height, Upright Extended</b>	17	with std 2 - stage mast	mm	4,090
	<b>Mast Tilt, Fwd / Back</b>	18	with std 2 - stage mast	deg	6° / 7°
	<b>Carriage</b>	19	width	mm	1,040
	<b>Fork Spread</b>	20	minimum / maximum	mm	222 / 1,010
	<b>Fork Dimensions</b>	21	T x W x L	mm	35 x 100 x 920
<b>Chassis</b>	<b>Length to Fork Face</b>	22	with std 2 - stage mast	mm	1,970
	<b>Overall Width</b>	23		mm	1,110
	<b>Overhead Guard Height</b>	24		mm	2,025
	<b>Turning Radius</b>	25	minimum outside	mm	1,605
	<b>Fork Overhang</b>	26	with std 2 - stage mast	mm	385
	<b>Right Angle Stack</b>	27	add load length and clearance	mm	3,190
	<b>Ground Clearance</b>	28	minimum loaded	mm	60
		29	center of wheelbase	mm	105
	<b>Battery Compartment</b>	30	length / width / height	mm	565 / 830 / 675
	<b>Performance</b>	<b>Travel Speed</b>	31	loaded / unloaded	kph
<b>Lift Speed</b>		32	loaded / unloaded	m/s	0.35 / 0.50
<b>Lower Speed</b>		33	loaded / unloaded	m/s	0.50 / 0.40
<b>Max. Drawbar Pull</b>		34	5 min. rating	kg	1,275
		35	60 min. rating	kg	301
<b>Max. Gradeability</b>		36	5 min. rating	%	20
<b>Systems</b>	<b>Controllers</b>	37	drive / hydraulic (make, type)		SME, AC
	<b>Motors</b>	38	drive output (60 min. rating)	kW	13
		39	hydraulic output (15 min. rating)	kW	15
		40	type		Lead Acid
	<b>Battery</b>	41	voltage		48
		42	max. capacity (6 hour rating)	Ah	540
		43	weight, minimum / maximum	kg	760 / 920

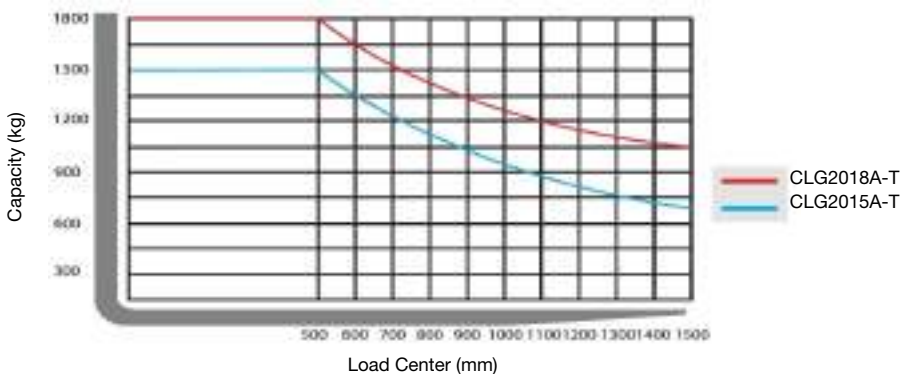


# CAPACITY

Mast type	Maximum Fork Height (MFH)	Mast Overall Lowered Height (OAL)	Freee Lift with Load Backrest	Mast Tilt Angle (F/B)	Rated Load Capacity				Total Weight with Standard Forks	
					With Standard Forks		With Sideshifter			
					CLG2015A-T	CLG2018A-T	CLG2015A-T	CLG2018A-T	CLG2015A-T	CLG2018A-T
	mm	mm	mm	degree	kg @ (500mm LC)		kg @ (500mm LC)		Kg	
Standard 2-Stage	3000	2055	135	6 / 7	1500	1800	1400	1600	3050	3300
	3300	2205	135	6 / 7	1500	1800	1400	1600	3070	3320
	3500	2305	135	6 / 7	1450	1800	1350	1600	3090	3340
	4000	2605	135	6 / 7	1300	1700	1250	1500	3115	3365
	4500	2855	135	6 / 7	1200	1580	1150	1350	3160	3410
	5000		135	6 / 7						

Mast type	Maximum Fork Height (MFH)	Mast Overall Lowered Height (OAL)	Freee Lift with Load Backrest*	Mast Tilt Angle (F/B)	Rated Load Capacity				Total Weight with Standard Forks	
					With Standard Forks		With Sideshifter			
					CLG2015A-T	CLG2018A-T	CLG2015A-T	CLG2018A-T	CLG2015A-T	CLG2018A-T
	mm	mm	mm	degree	kg @ (500mm LC)		kg @ (500mm LC)		Kg	
Full Free 2-Stage	2700	1920	830	6 / 7	1500	1800	1450	1600	3030	3280
	3000	2070	980	6 / 7	1500	1800	1400	1600	3050	3300
	3300	2220	1130	6 / 7	1500	1800	1400	1600	3070	3320
	3500	2320	1230	6 / 7	1450	1800	1350	1600	3090	3340
	4000	2620	1530	6 / 7	1300	1700	1250	1500	3115	3365

Mast type	Maximum Fork Height (MFH)	Mast Overall Lowered Height (OAL)	Freee Lift with Load Backrest*	Mast Tilt Angle (F/B)	Rated Load Capacity				Total Weight with Standard Forks	
					With Standard Forks		With Sideshifter			
					CLG2015A-T	CLG2018A-T	CLG2015A-T	CLG2018A-T	CLG2015A-T	CLG2018A-T
	mm	mm	mm	degree	kg @ (500mm LC)		kg @ (500mm LC)		Kg	
Full Free 3-Stage	4500	2135	1045	6 / 6	1200	1450	1050	1300	3445	3695
	4800	2235	1145	6 / 6	1100	1300	950	1200	3465	3715
	5000	2295	1205	6 / 6	1000	1150	850	1100	3475	3725
	5500	2465	1375	3 / 6	800	900	650	750	3560	3810
	6000	2945	1855	3 / 6	550	600	400	450	3675	3890



**Note:**  
 Vertical axle stands for load capacity while horizontal axle stands for load center, Load center is the distance counted from the front of the fork.,The base point of the standard load is the center point of the cubic with the same 1000mm dimension in length, width and height. The load capacity should be down if mast tilt forward or using non-standard forks of loading goods with extra width. Please realize the different load capacity between different load centers according to load chart.

# STANDARD CONFIGURATION

## POWER SYSTEM

- SME controller
- Forceful motor
- One-speed transmission
- High strength drive axle
- Reliable steering axle

## HYDRAULIC SYSTEM

- 2-function hydraulic valve
- Hydrostatic steering
- Oil filter for intake and return

## ELECTRIC SYSTEM

- 48V/480,540Ah lead-acid batteries
- 3 phase 380V charger
- SBE 175 Connector
- Front flood lights
- Front steering lights
- Rear combination lights
- Buzzer for back off

## UNDERCARRIAGE

- High strength frame
- 1 piece counterweight
- Tow pin
- Solid pneumatic drive tires
- Solid pneumatic steer tires

## MAST

- 3.0M Standard 2-stage mast
- 1040mm Wide Class II carriage
- Load backrest
- 920mm long Class II pallet forks

## OPERATOR STATION

- Overhead guard
- Locks for battery hood
- Vinyl cushion seat with seat belt
- Display fault code, working hour
- Tilt steering column
- Brake and accelerator pedals
- Hand parking
- Floor mat

# OPTIONAL CONFIGURATION

## POWER SYSTEM

- Curtis controller

## HYDRAULIC SYSTEM

- 3-function hydraulic valve

## ELECTRIC SYSTEM

- 48V/540Ah lead-acid battery
- REMA 160 connector
- Rear working light
- Amber warning light
- License plate light

## UNDERCARRIAGE

- Solid pneumatic drive tires (Non-marking)
- Solid pneumatic steer tires (Non-marking)

## MAST

- Full free 2-stage mast
- Full free 3-stage mast
- Longer Class II pallet forks

## OPERATION STATION

- Enclosed cabin
- Heater for cabin
- Operator fan
- Fire extinguisher
- Anti-corrosion lifting and tilting cylinder
- Protective cover for tilt cylinder
- Master key
- Half-suspension vinyl seat(tiancheng)
- Grammer full-suspension vinyl seat